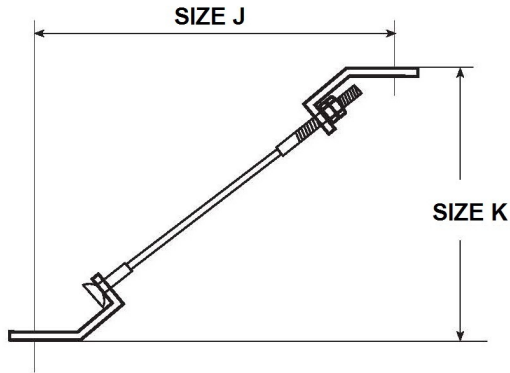


Company:	
Contact:	
Project Ref:	
Order No:	Date:

Mansfield Road, Bramley Vale, Chesterfield, Derbyshire, S44 5GA
 Tel : 01246 858222 Email : sales@coverworld.co.uk
 Fax : 01246 858223 Web : www.coverworld.co.uk

DIAGONAL TIE WIRES



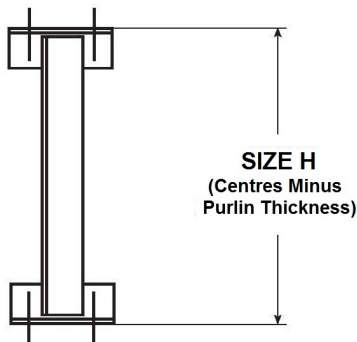
Size J	Size K	Qty	Mark Up

EAVES BEAM STIFFENING CLEAT



Qty	Mark Up

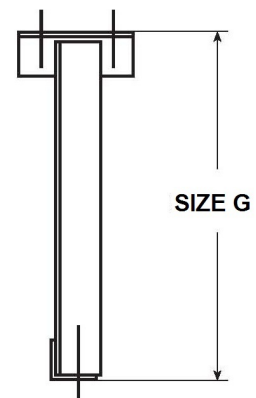
PURLIN SIDE RAIL SUPPORT



Purlin Size	Size H	Qty	Mark Up

EAVES BEAM SIDE RAIL

Use Only With Stiffening Cleat



Purlin Size	Size G	Qty	Mark Up